

PTO
 U.S. PAT. OFF.
 80/891/60
 09/188/08
 10/198

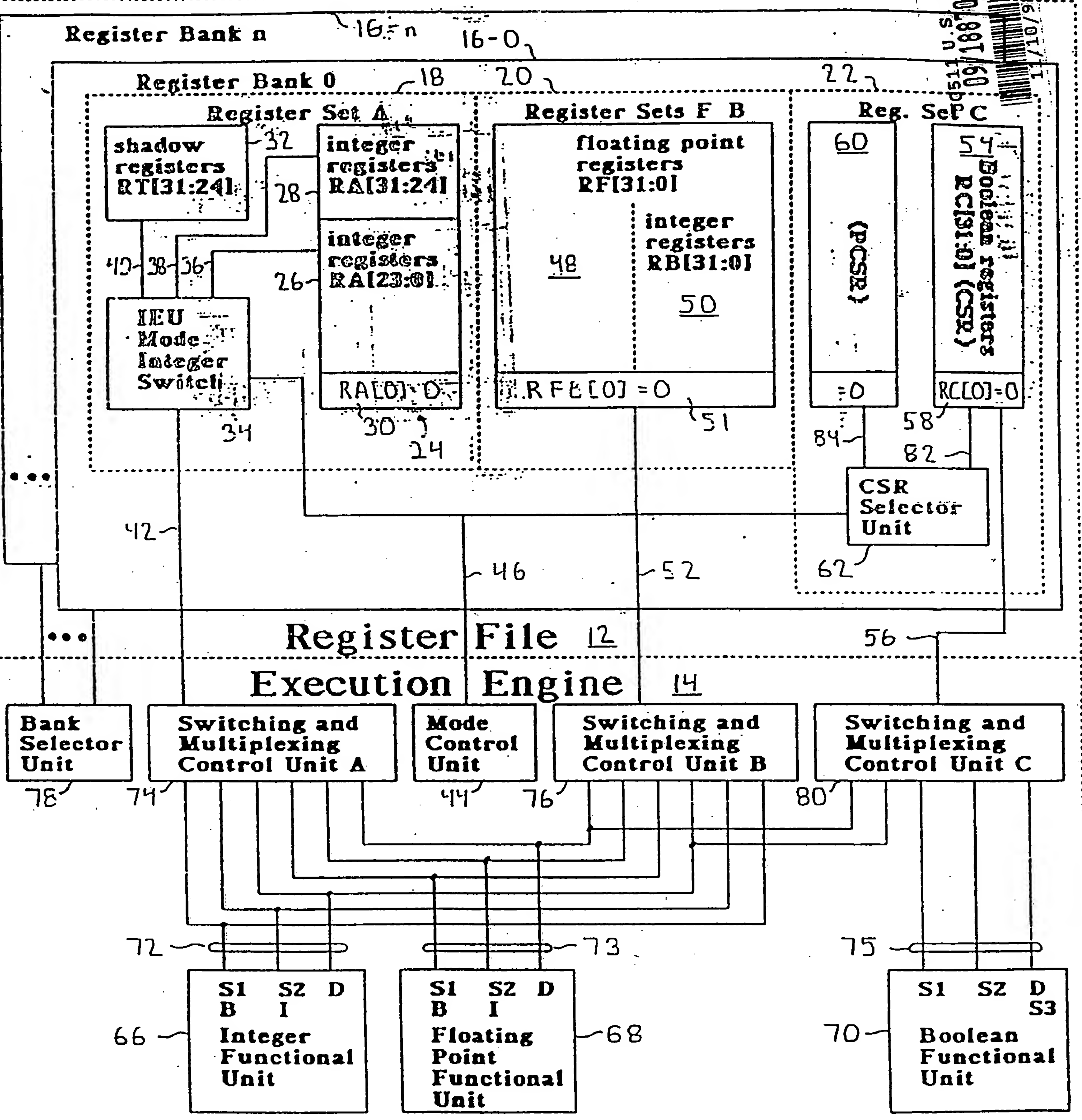
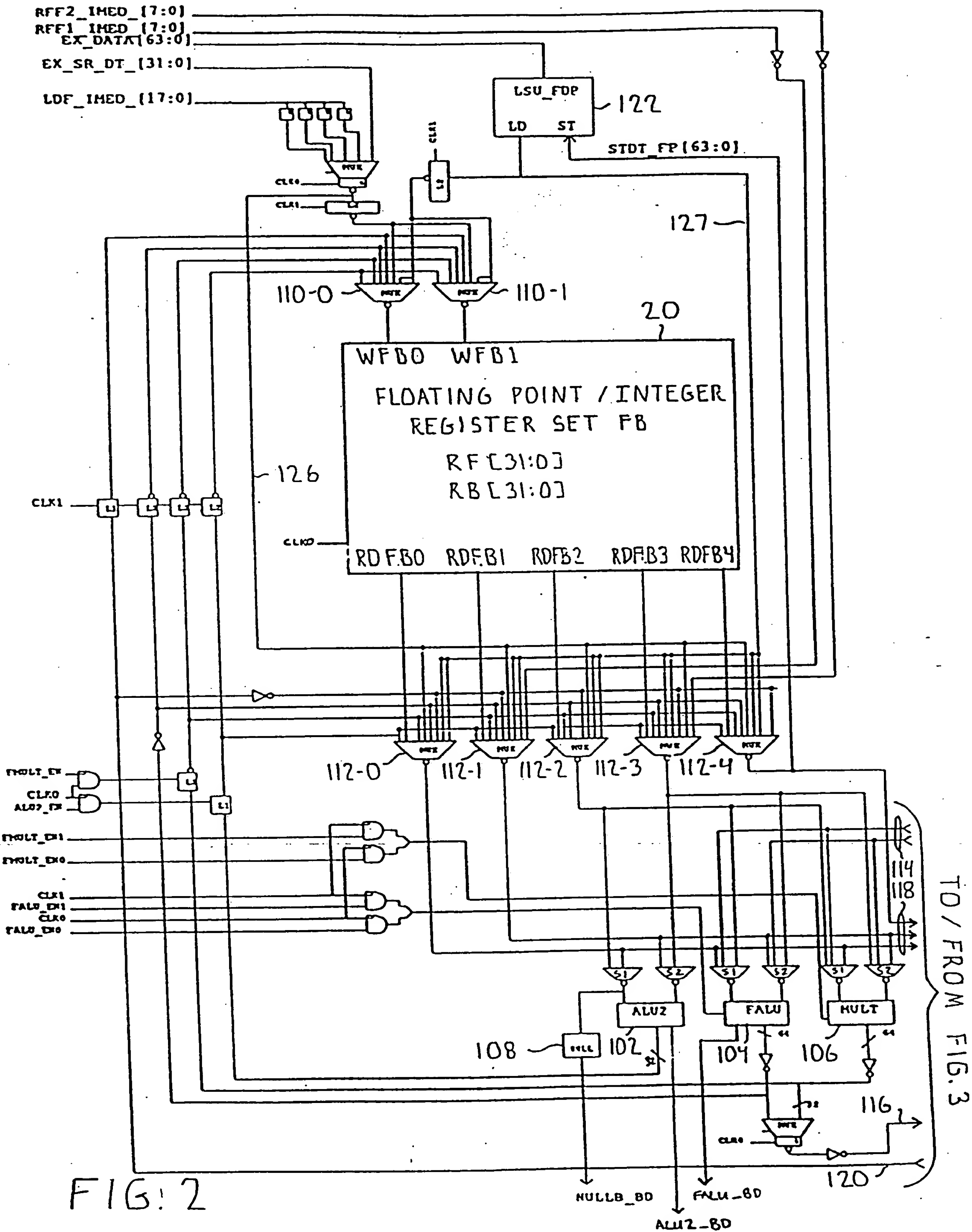


Fig. 1 Instruction Execution Unit (IEU)



TO / FROM FIG. 3

FIG. 2

TO / FROM FIG. 2

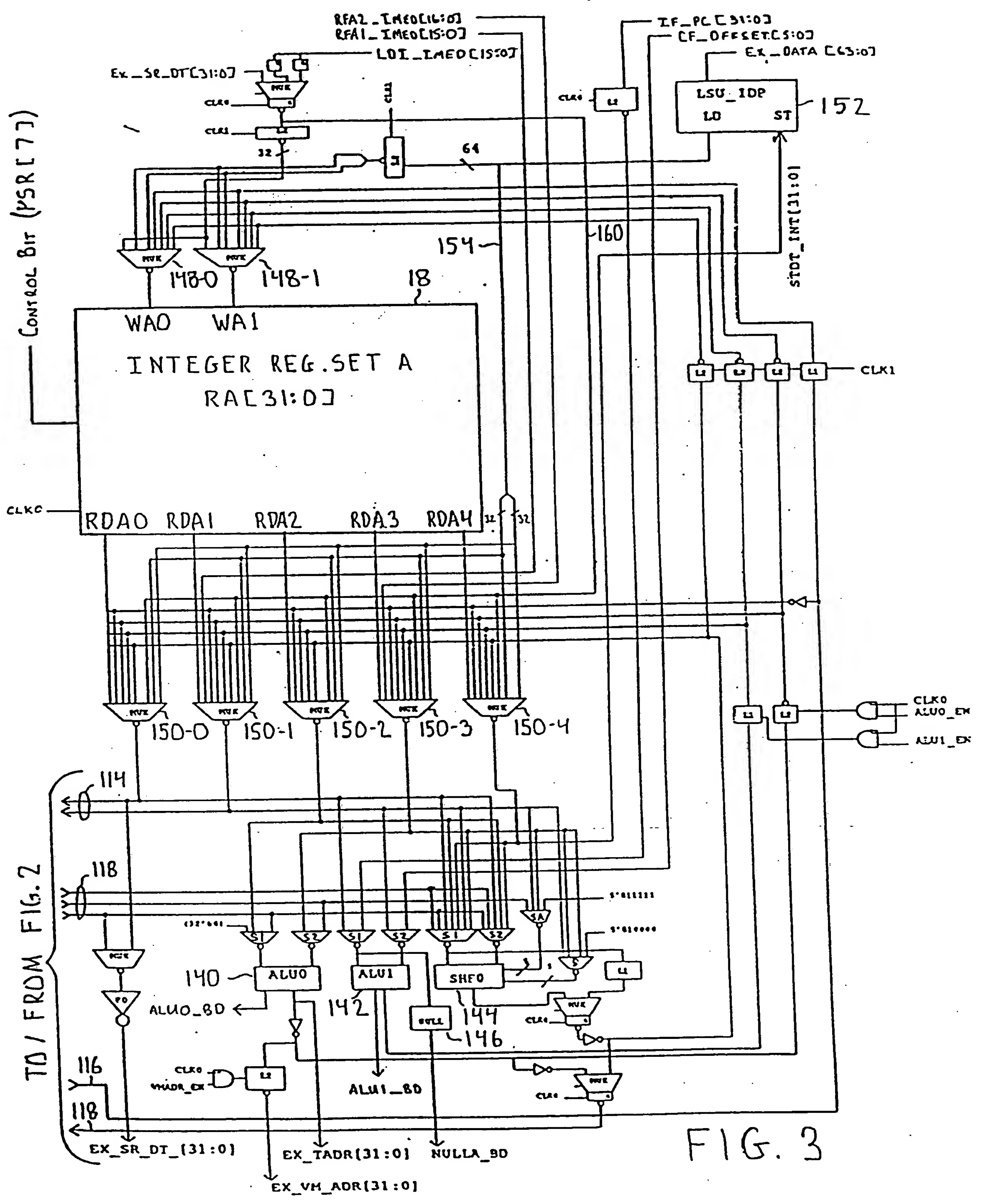


FIG. 3

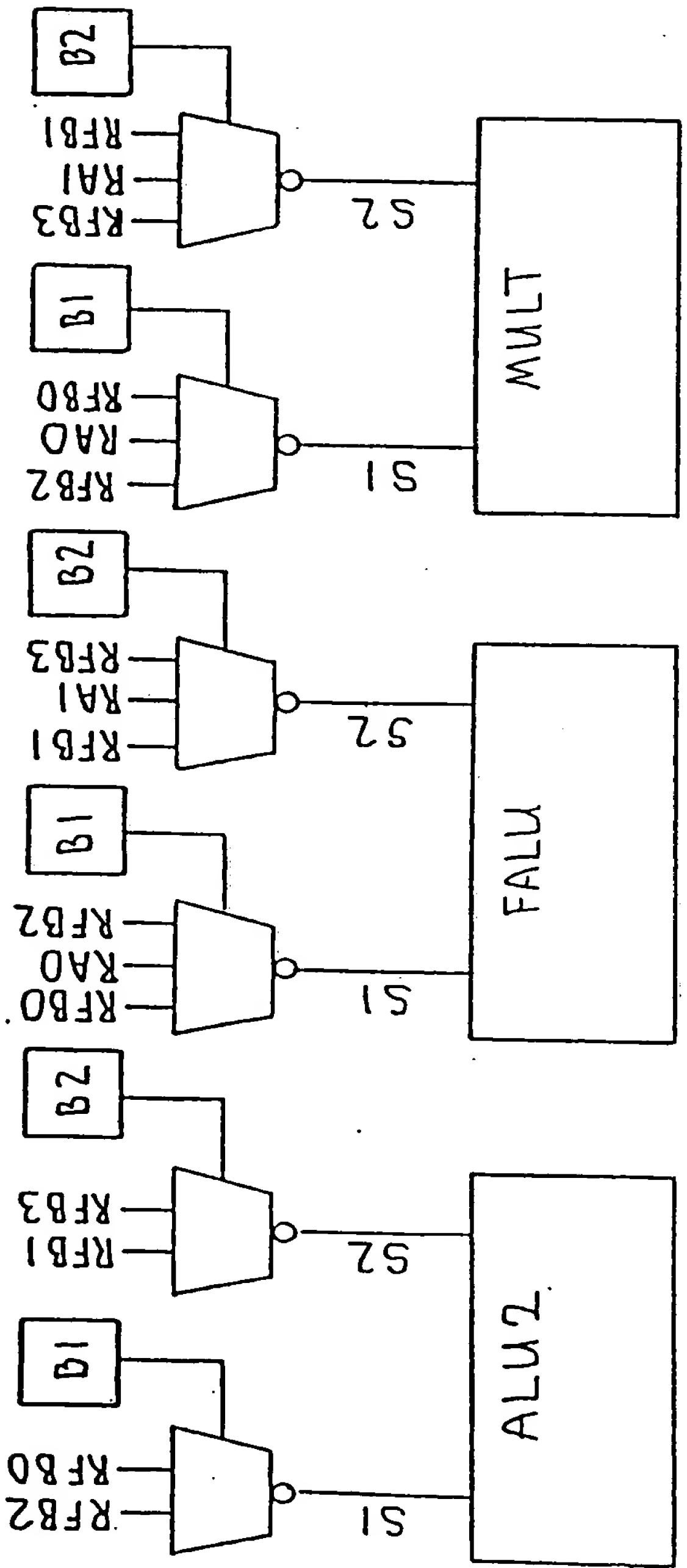


FIG. 5

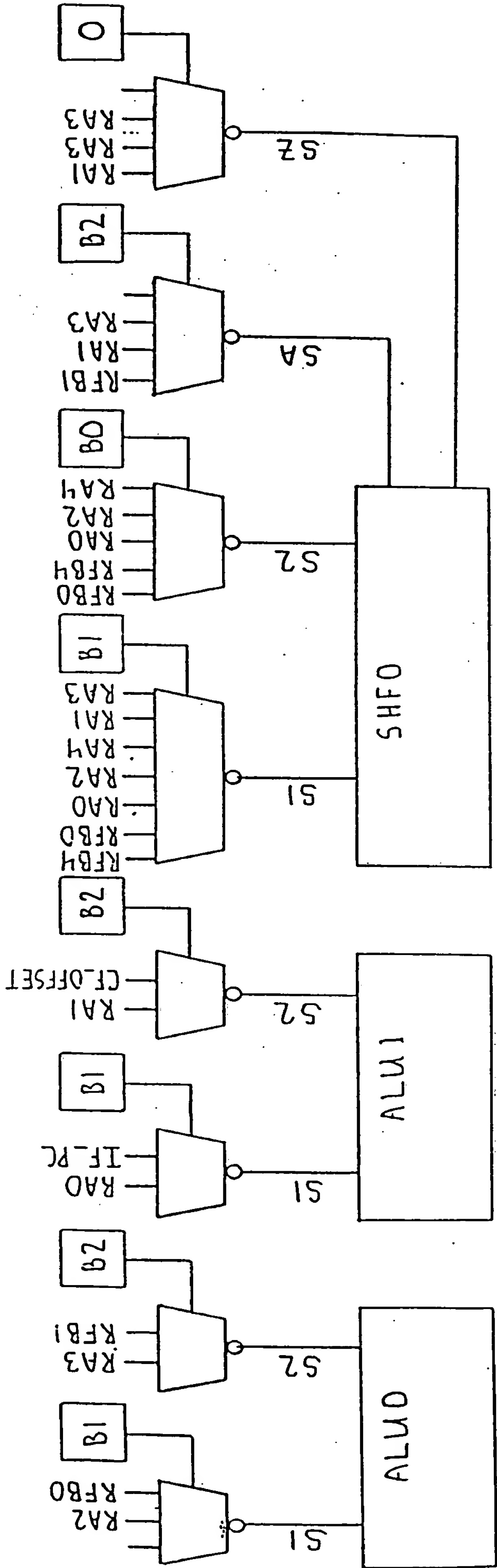
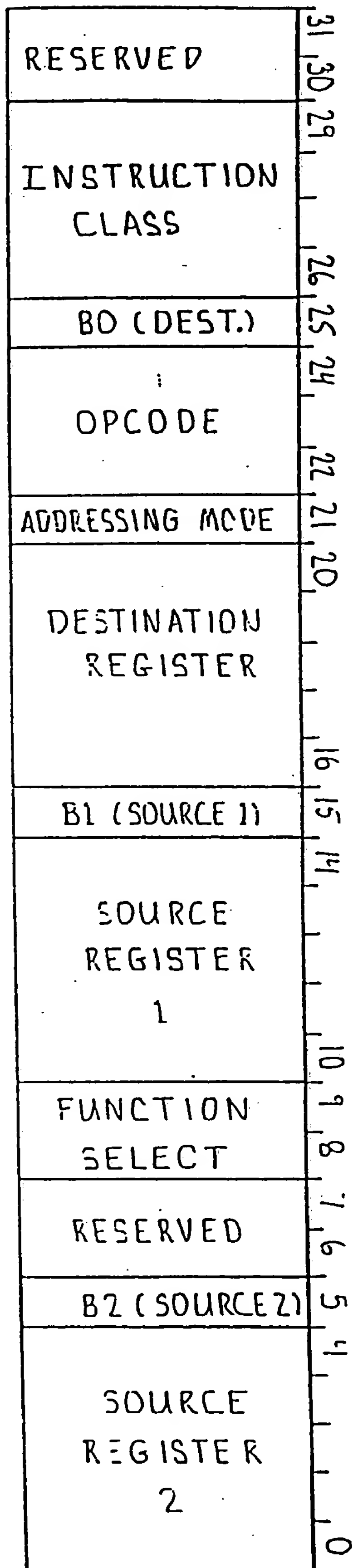


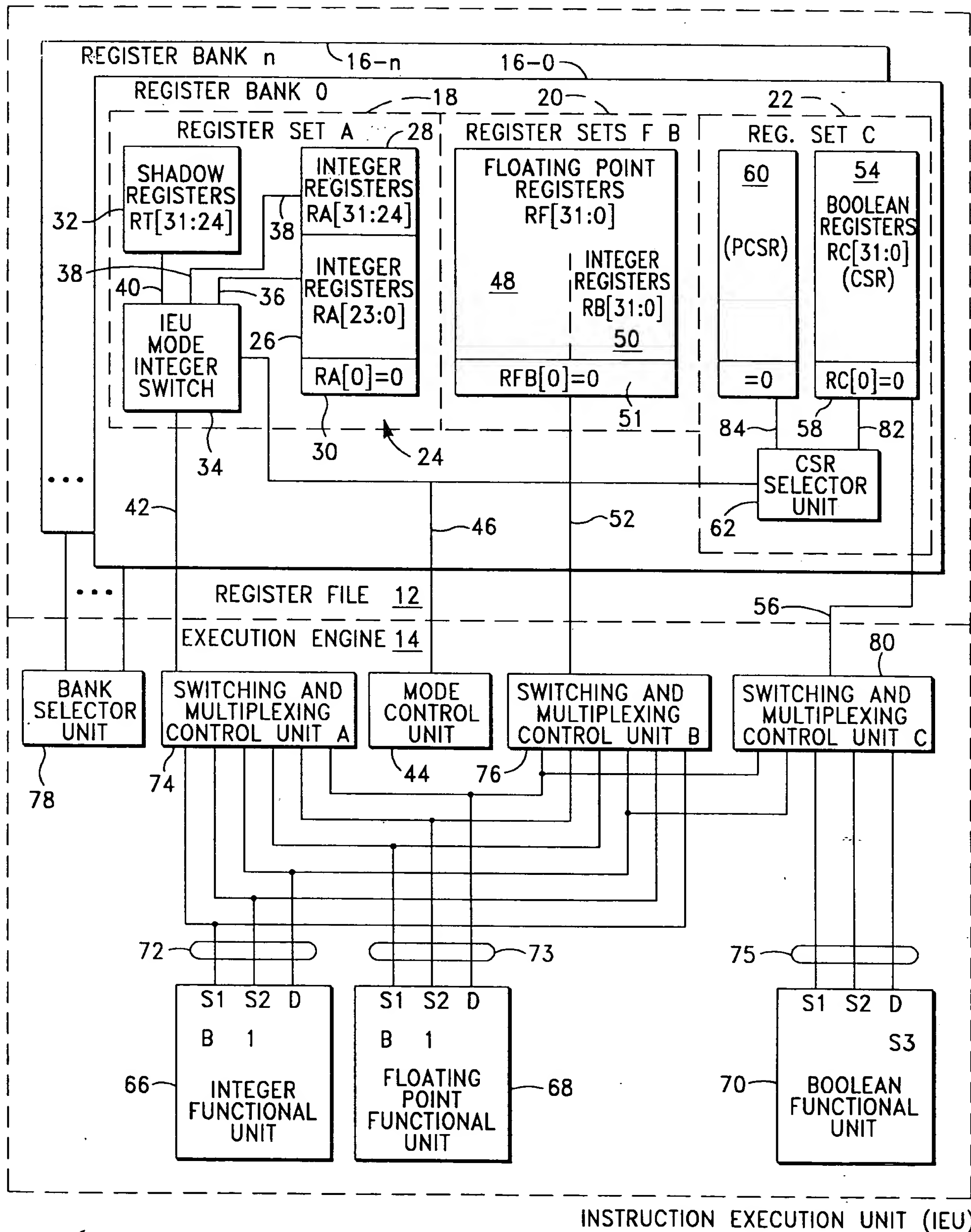
FIG. 6

FIG. 7

INSTRUCTION I[]



SECRET



INSTRUCTION EXECUTION UNIT (IEU)

10 →

FIG.-1

9

"BOUTER" BLOCK

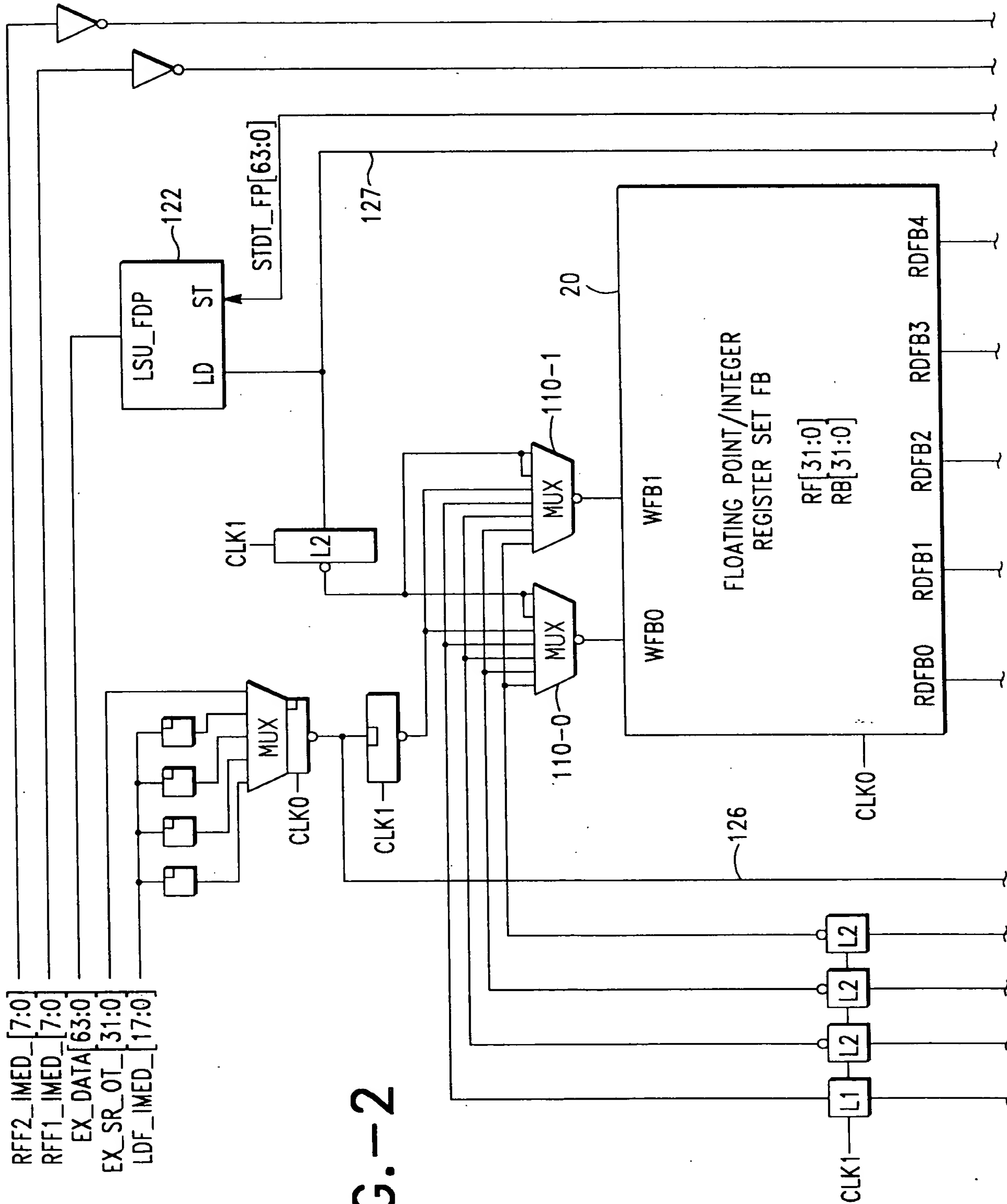


FIG.-2

APPROVED	O.G. FIG.	
BY	CLASS	SUBCLASS
DRAFTSMAN		

SP018

4/9

BOUTT "BDCBTT60"

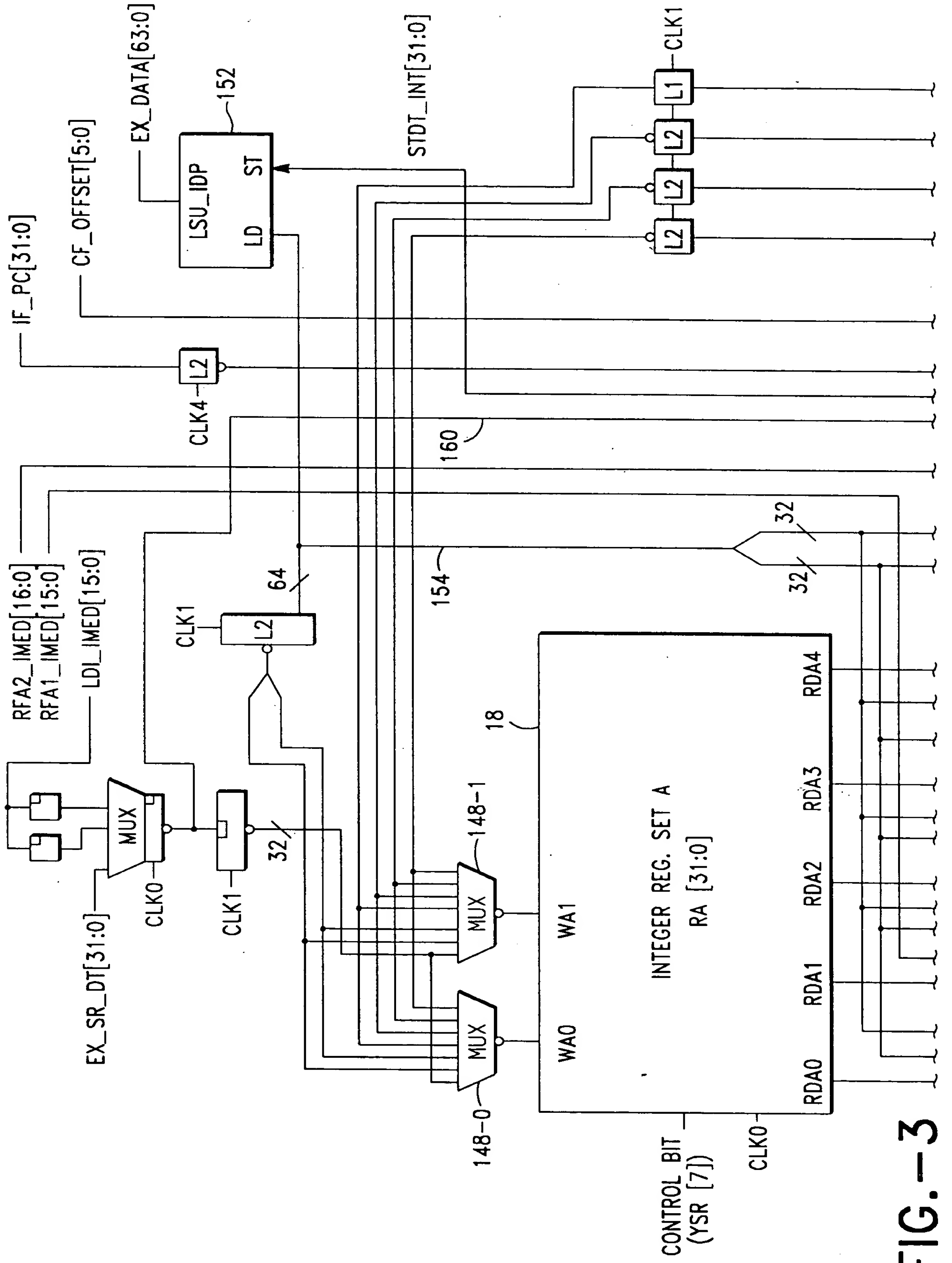


FIG.-3

SHEET "B04B8T60"

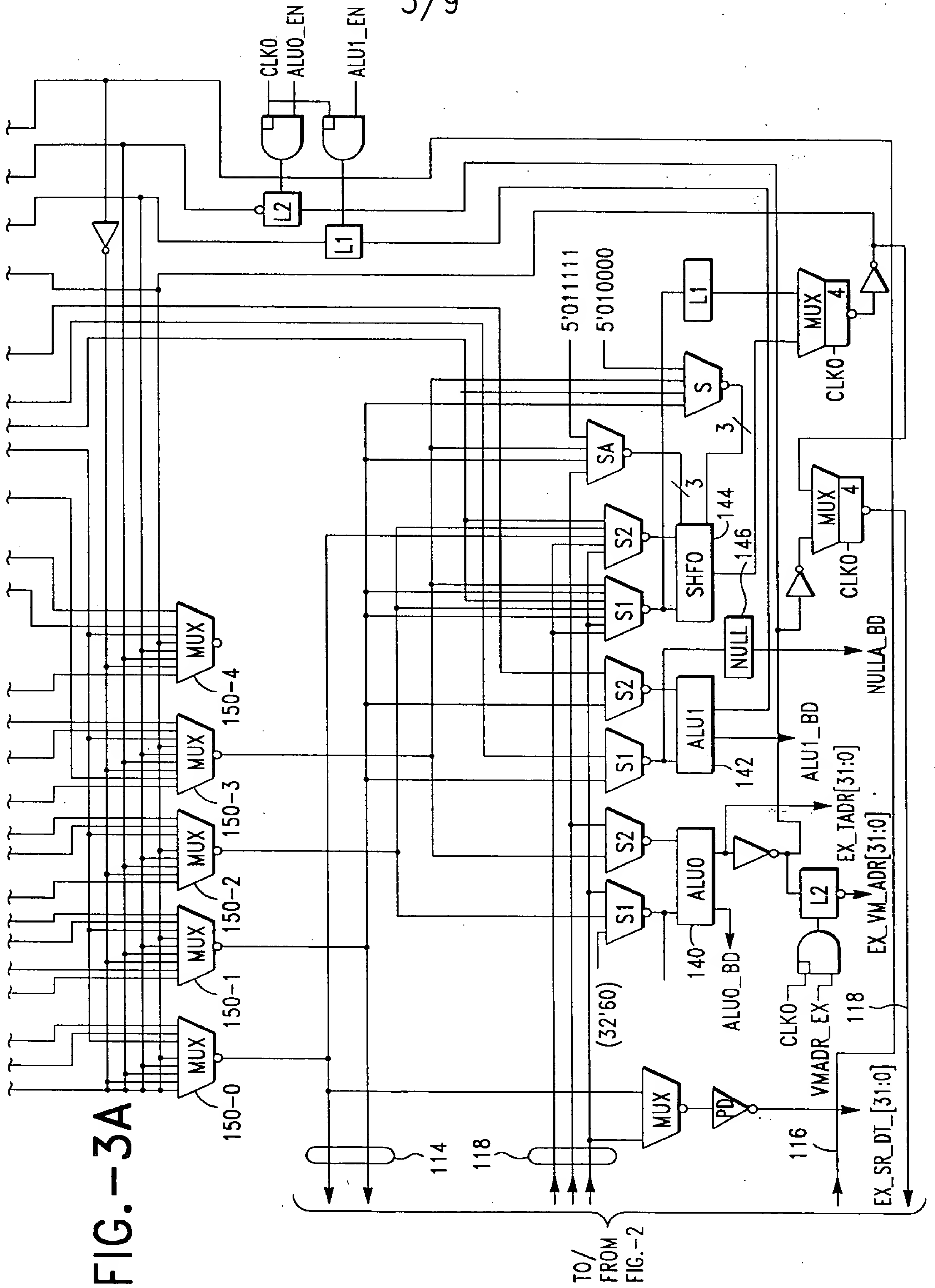


FIG.-3A

TO/
FROM
FIG.-2

BOULEVARD "BOUTEF" 15040

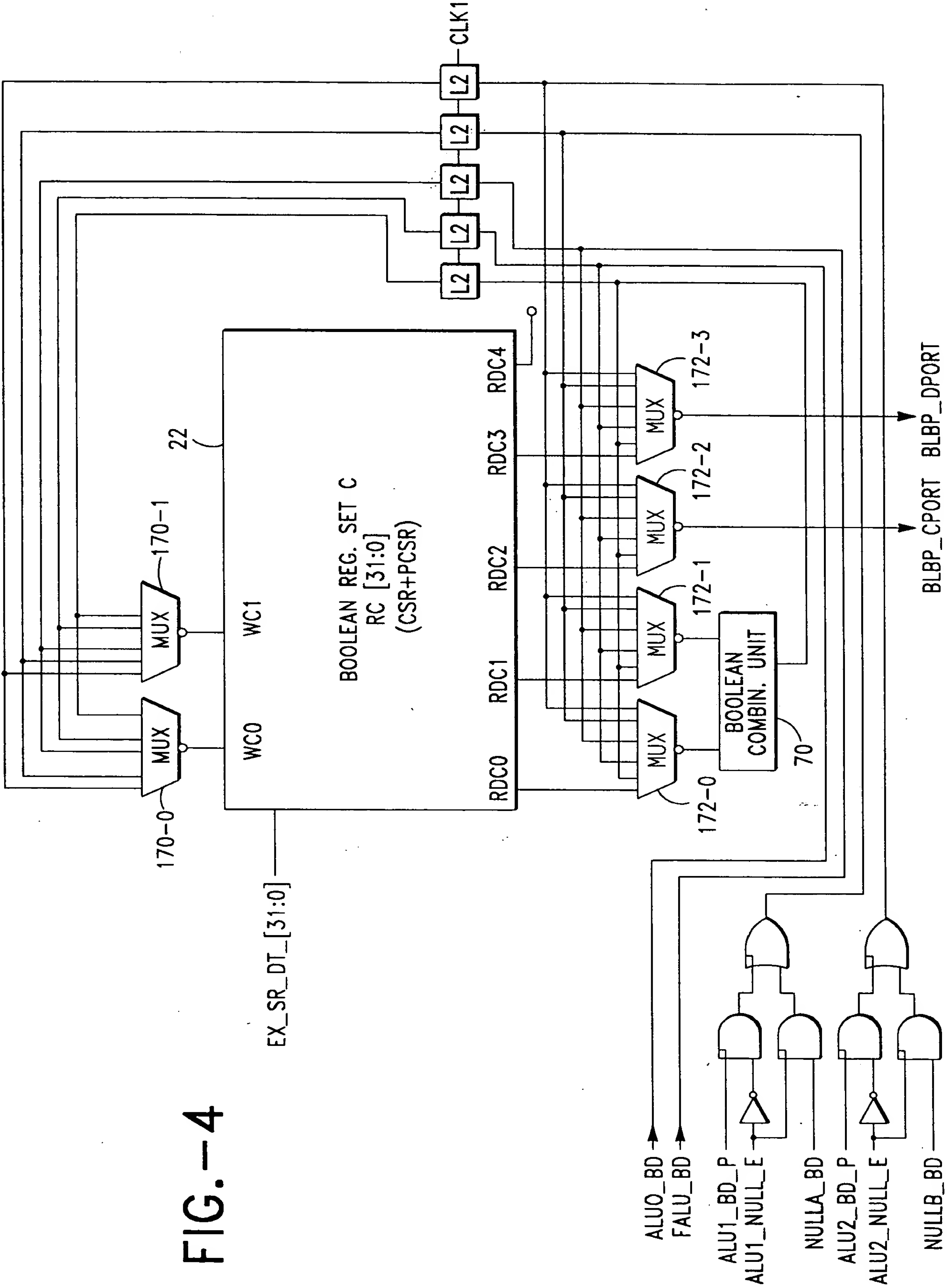


FIG.-4

APPROVED	O.G. FIG	
BY	CLASS	SUBCLASS
DRAFTSMAN		

SP018

7/9

REF ID: A62826

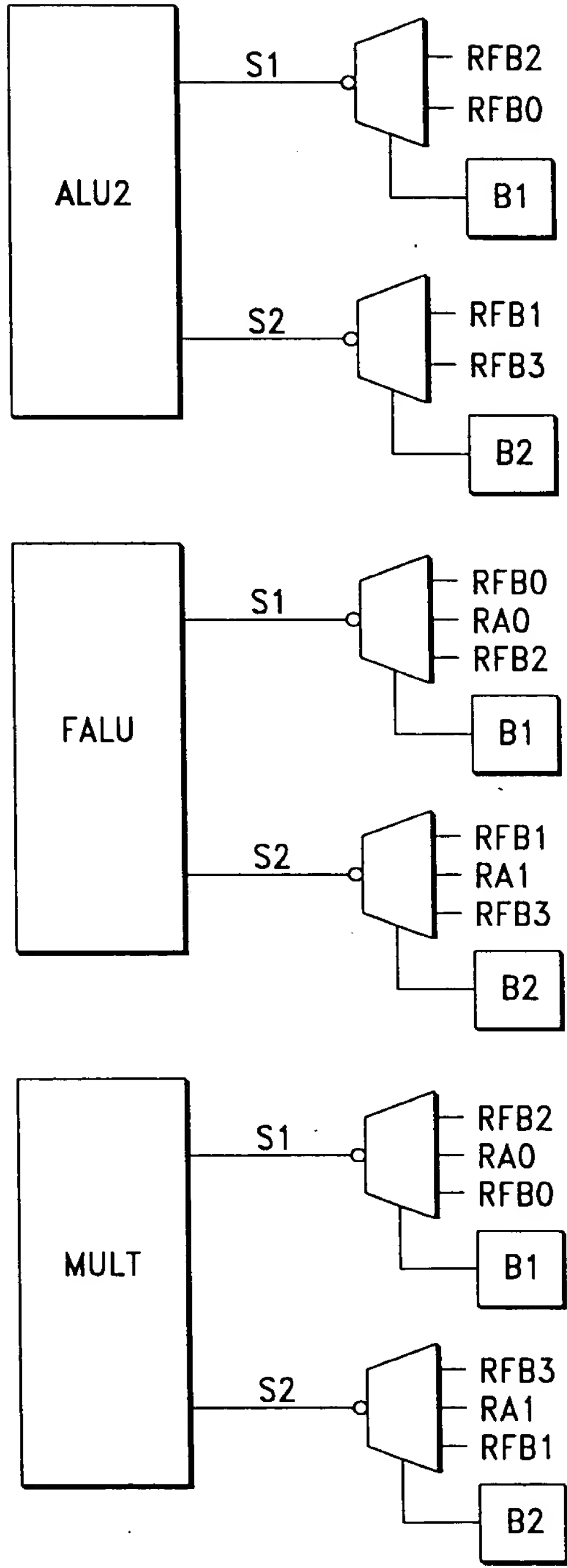


FIG.-5

04183703-11098

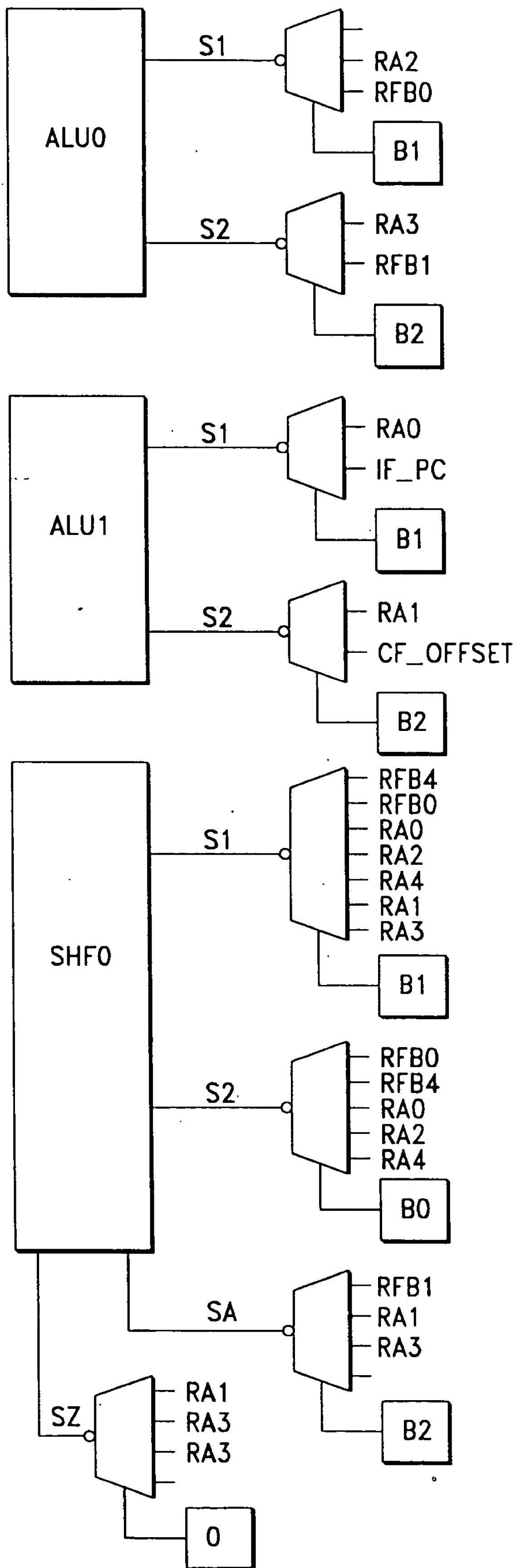


FIG.-6

APPROVED	O.G. FIG	
BY	CLASS	SUBCLASS
DRAFTSMAN		

SP018

9/9

B6077-004B3760

INSTRUCTION I []

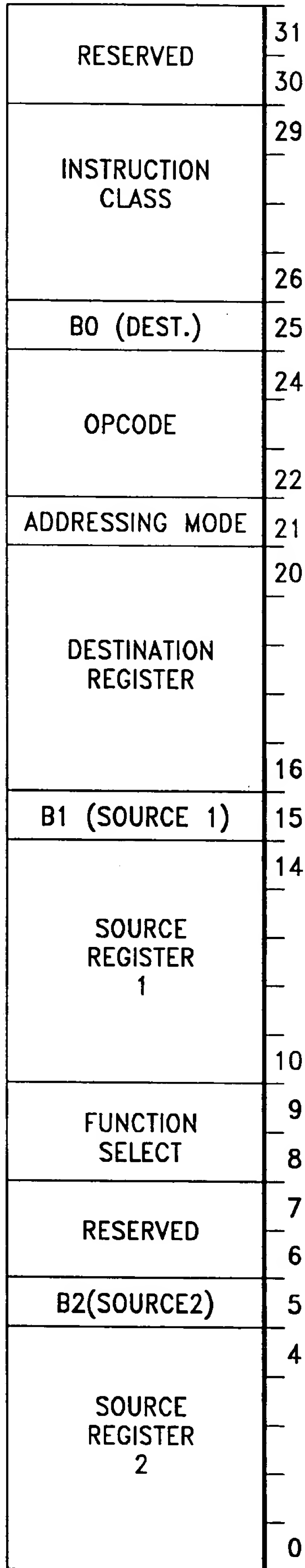


FIG.-7